

新品
NEW



RGX 500Bar
Raising the bar

高压柱塞泵





RGX SERIES PUMPS

RGX 系列 高压柱塞泵

Medium-sized crank-connecting rod mechanism pump for use on high pressure cleaning systems, such as in the construction industry, etc. This pump, for use up to 500 bar, is derived from the existing RG series pumps, with a new-design head with the intake valves placed above the pistons to generate higher-than-normal pressures. This new head configuration also simplifies valve maintenance even without intake plugs.

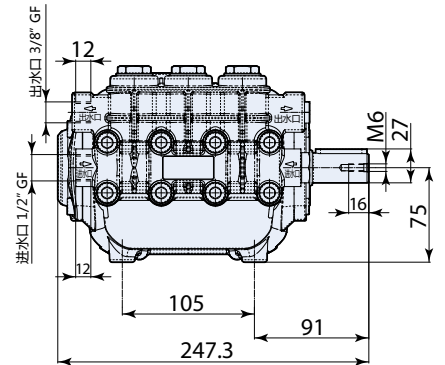
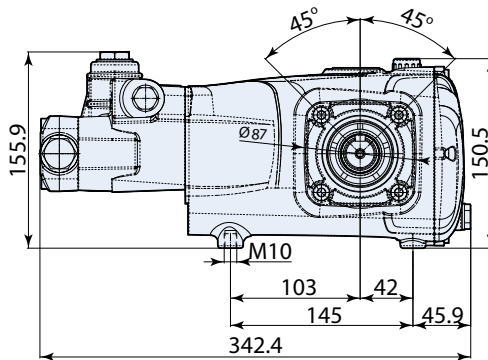
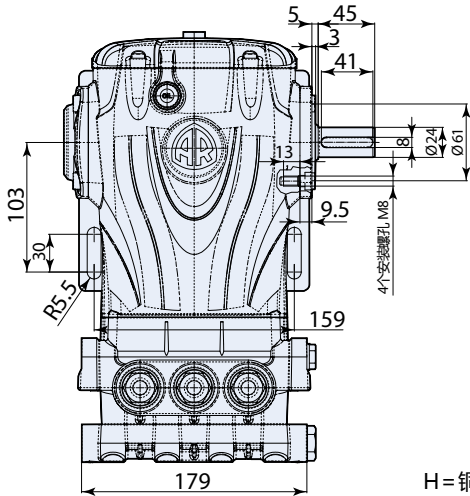
The pump is of conventional design, with crankshaft in high-strength steel supported by two high-quality, oversized tapered roller bearings. The connecting rods are in a special low-friction alloy. The pump body and side covers are in anodised die-cast high-strength aluminium alloy. The pump features one-piece ceramic pistons and a double gasket sealing system. The valves are of rugged construction to withstand the high operating pressures.

中等尺寸曲柄连杆结构水泵用于高压清洗机械，例如建筑工业范围等等。这款水泵工作压力可达500巴，由RG系列演变而来，采用最新设计的泵头，在柱塞上面安装了进气阀，从而产生更高的压力。新的泵头也具备维护简单的特点，甚至没有进气塞。

这款水泵采用传统设计，配有高强度钢材质的曲轴，依靠两个高级的超大锥形滚轴支撑。连杆采用特制的低摩擦合金制成。泵体和罩体均采用高强度的阳极氧化铝合金制成。这款水泵配备了单片陶瓷柱塞和双油封垫系统。结构结实的阀可承受高压挑战。



RGX
SERIES



H = 铜泵头表面镀镍

RGX 1450 转 N 轴实心轴 Ø 24X40 mm

型号	流量		压力		电机功率		重量	转速	温控阀	进水口	出水口	编号
	l/min	gpm	bar	psi	hp	kw						
RGX 10.35 N	10	2.64	350	5100	10	7.5	16	1450	NO	1/2"GF	3/8"GF	25637
RGX 15.35 N	15	3.96	350	5100	15	11	16	1450	NO	1/2"GF	3/8"GF	25514
RGX 22.35 N	22	5.8	350	5100	20	15	16	1450	NO	1/2"GF	3/8"GF	25638
RGX 10.50 N	10	2.64	500	7250	10	7.5	16	1450	NO	1/2"GF	3/8"GF	25637
RGX 15.50 N	15	3.96	500	7250	15	11	16	1450	NO	1/2"GF	3/8"GF	25514
RGX 22.50 N	22	5.8	500	7250	20	15	16	1450	NO	1/2"GF	3/8"GF	25638



Annovi Reverberi s.p.a.
Via M.L.King 3
41122 Modena (Italy)
www.annovireverberi.it



艾热(上海)商贸有限公司
中国上海市奉贤区金汇镇江艇路651号1幢2楼
电话: +86 21 54846800
传真: +86 21 54846800 分机 815
info@AR-China.cn
www.AR-China.cn

